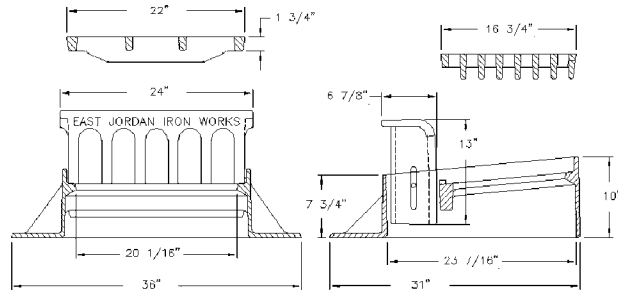


### 7221 CATCH BASIN CURB INLET

Heavy duty  
 With 7220 Type M1 Grate and T1 Back  
 Approximate 165 sq. in. open area  
 Uses 7220 back and grates

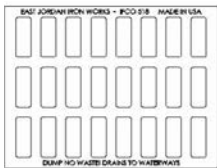


### 7222 ROUND BASE CURB & GUTTER INLET

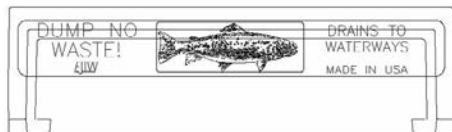
Heavy duty  
 Uses 7220 back  
 Specify grate style when ordering  
 Grate & back have "DUMP NO WASTE!"  
 lettering & fish image  
 Shown with Type M1 vane grate  
 Approximate 101 sq. in. open area



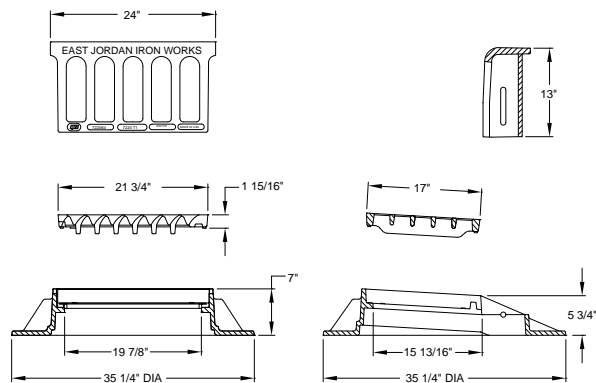
Options  
 Diagonal style grates



**Type M2 Grate**  
 Approx. 71 Sq. In. open area



**Type T1 Adjustable Curb Inlet Hood**  
 With with "DUMP NO WASTE!" lettering and fish image



Supplied By:



877-903-7246

www.trenchdrainsupply.com

